

**Model**

# RT Series

**ROUGH TERRAIN SCISSOR LIFTS**



## Features

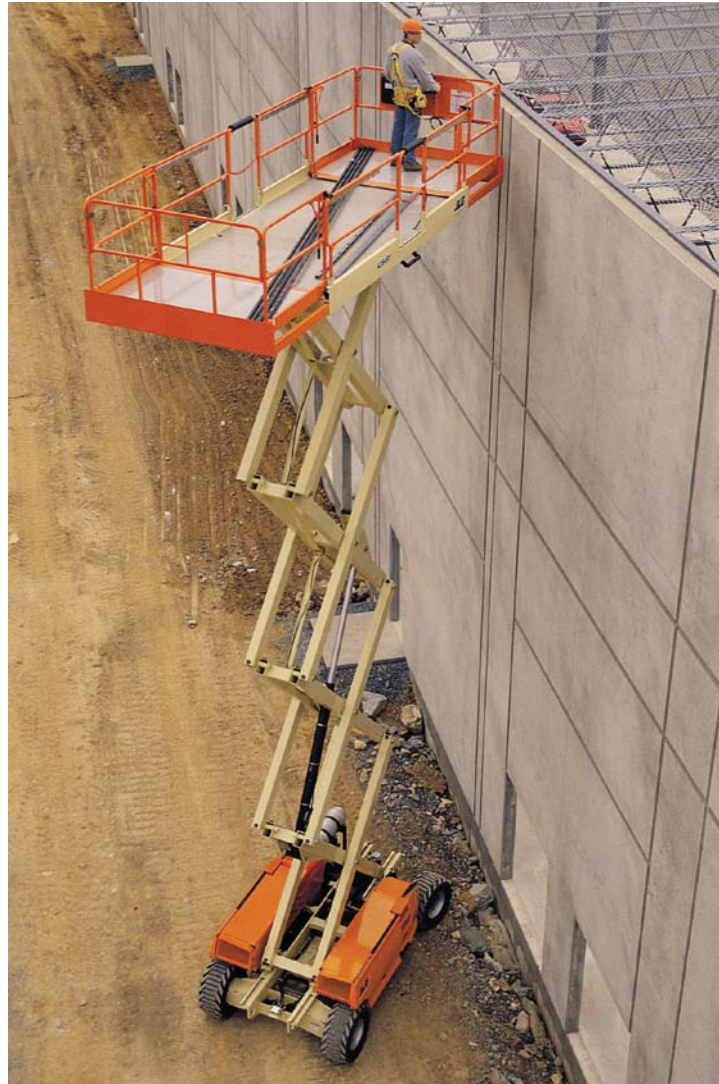
- 4-Wheel Drive
- Automatic Transmission
- Three-Speed Drive Select
- Proportional Drive/Lift Up/Lift Down
- 33 x 15.5–16.5 Superwide Tires
- Oscillating Axle
- 86 x 150 in. (2.18 x 3.81 m) Platform
- 4 ft (1.22 m) Manual Deck Extension
- Aluminum Deck with Grip Strips
- 110V-AC Receptacle in Platform
- Adjustable, Removable Platform Control Station
- On-Board Diagnostics at Platform and Ground Control
- Fuel Gauge in Platform
- Fold-Down Handrails
- Horn
- 3 Degree Slope Alarm and Light
- Manual Descent
- All Motion Alarm

## Accessories & Options

- Leveling Jacks
- Additional Extension Deck
- Single Powered Deck Extension
- Dual Powered Deck Extension
- 3500 Watt Generator
- Platform Worklights
- 1/2 in. Airline to Platform
- Self-Closing Entry Gates
- Non-marking 12 x 16.5 Tires
- IN 315/55 D20 Low-Profile Tires
- Flashing Amber Beacon
- 43.5 Propane Tank
- Cold Weather Start Kit

### Accessory Packages:

- SkyPositioner® Package
- Nite Bright® Package
- Pipe Rack Accessory



### Greater Productivity

- Faster set up with exclusive one-touch leveling jacks option
- Optional Workstation in the Sky® accessories—SkyPositioner® Package for hanging pipe or ductwork, Nite Bright® Package for low-light applications and Pipe Rack accessory—will save time and increase productivity

### Higher Capacities and Larger Platforms

- Holds up to 2,250 lb on the Model 3394RT and 1,500 lb on the Model 4394RT
- Features the MegaDeck® platform option with dual deck extensions providing over 145 sq ft of workspace and increased platform length to 20 ft 6 in., more than enough space for sheets of drywall or pipe.

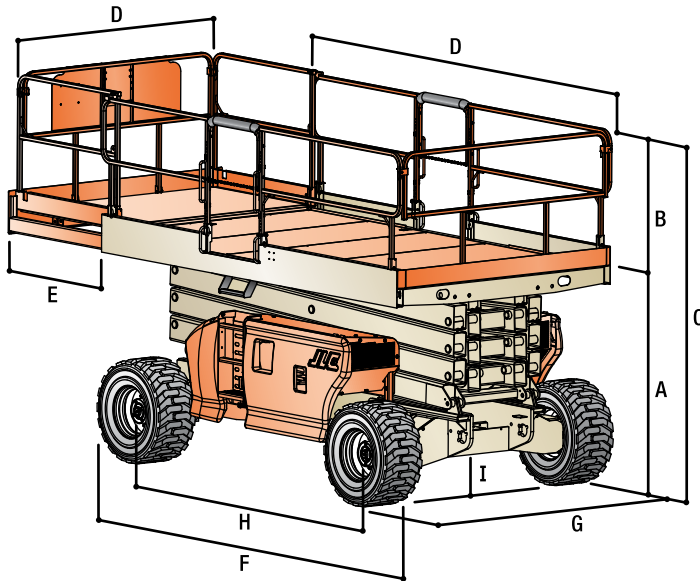
### Mobility and Versatility

- 4-wheel drive and hydrostatic transmission deliver unmatched terrainability
- Wide platforms get closer to your work area
- Durable, non-skid aluminum deck

# Model RT Series

## ROUGH TERRAIN SCISSOR LIFTS

### Specifications



#### Dimensions

Platform Height—Elevated	
3394RT	33 ft (10.06 m)
4394RT	43 ft (13.11 m)
A. Platform Height—Lowered	
3394RT	5 ft 1.75 in. (1.57 m)
4394RT	5 ft 10.4 in. (1.79 m)
B. Platform Railing Height	3 ft 7.5 in. (1.1 m)
C. Overall Height—Rails Lowered	
3394RT	6 ft 5.75 in. (1.97 m)
4394RT	7 ft 2.4 in. (2.19 m)
D. Platform Size	86 x 150 in. (2.18 x 3.81 m)
E. Platform Extension	4 ft (1.22 m)
F. Overall Length	12 ft 8 in. (3.86 m)
G. Overall Width	7 ft 10 in. (2.39 m)
H. Wheelbase	
3394RT	9 ft 8 in. (2.95 m)
4394RT	9 ft 8 in. (2.95 m)
I. Ground Clearance	12 in. (30 cm)
Platform Capacity	
3394RT	2,250 lb (1,020 kg)
4394RT	1,500 lb (680 kg)
Capacity on Platform Extension	500 lb (227 kg)
Capacity with Dual Extensions	
3394RT	2,000 lb (907 kg)
4394RT	1,250 lb (567 kg)
Lift/Lower Time	
3394RT	30/30 seconds
4394RT	40/43 seconds

Maximum Drive Height	Full Height
Weight w/One Extension*	
3394RT	11,910 lb (5,402 kg)
4394RT	15,300 lb (6,940 kg)
Ground Bearing Pressure**	
3394RT	148 psi (10.36 kg/cm <sup>2</sup> )
4394RT	169 psi (11.83 kg/cm <sup>2</sup> )

#### Chassis

Drive Speed	4 mph (6.4 km/h)
Gradeability	45%
Turning Radius (Inside)	8 ft 10.5 in. (2.72 m)
Turning Radius (Outside)	19 ft 5.5 in. (5.93 m)
Tire Size/Type	33 x 15.5 Super Wide
Brakes—2 Wheel	Spring Applied

#### Power Source

Dual Fuel Engine(Water-Cooled)	
	GM Vortec 3000 MPFI 82 hp (61 kW)
Diesel Fuel Engine (Air-Cooled)	
	Deutz D2011L03 49 hp (36.5 kW)
Fuel Tank Capacity	30 gal. (113.56 L)
Hydraulic Reservoir	32 gal. (121.42)

\*Certain options or country standards will increase weight.  
\*\*Ground bearing pressure applies to standard tires.



#### The JLG "1 & 5" Warranty

JLG Industries, Inc. backs its products with its exclusive "1 & 5" Warranty. We provide coverage on all products for one (1) full year, and cover all specified major structural components for five (5) years. Due to continuous product improvements, we reserve the right to make specification and/or equipment changes without prior notification. This machine meets or exceeds applicable OSHA Regulations in 29 CFR 1910.67, 29 CFR 1926.453, ANSI A92.6-2006, and CSA Standard CAN3-B354.2-M82, as originally manufactured for intended applications.



**JLG Industries, Inc.**  
1 JLG Drive  
McConnellsburg, PA 17233-9533  
Telephone 717-485-5161  
Toll-free in US 877-JLG-LIFT  
Fax 717-485-6417  
[www.jlg.com](http://www.jlg.com)  
An Oshkosh Corporation Company